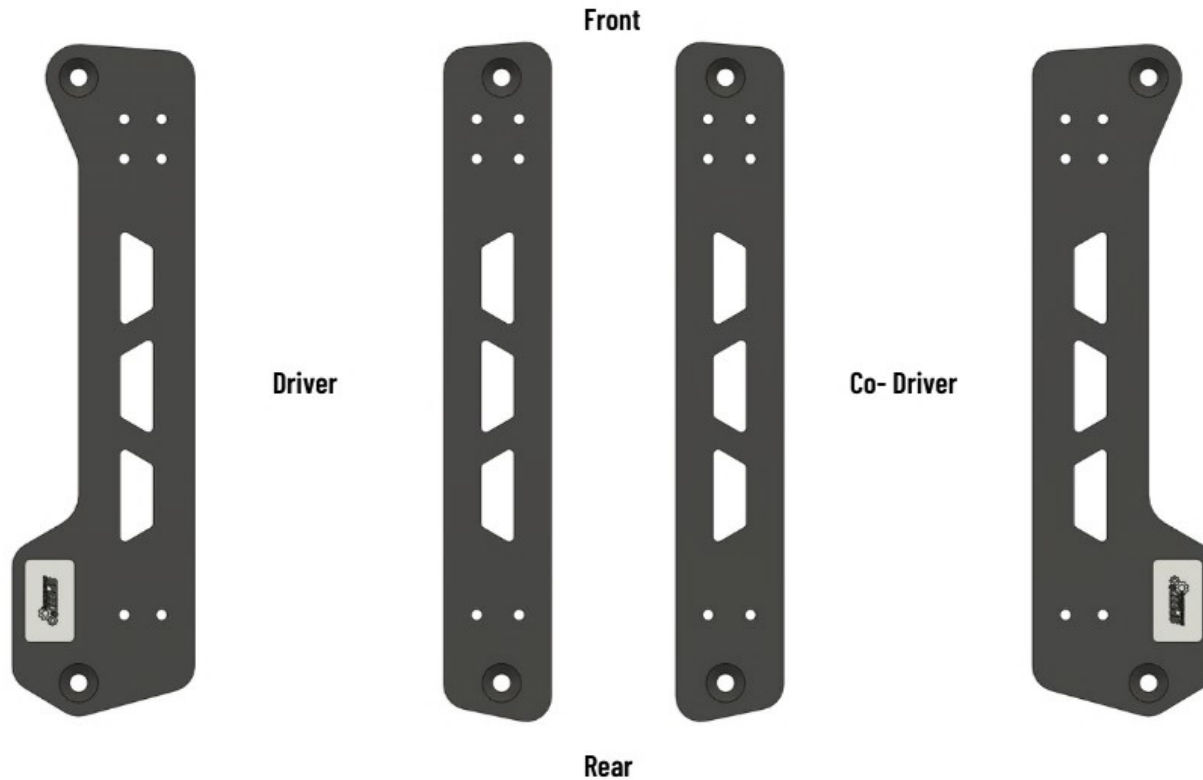




BMW F-Series Seat Mount Kit Manual

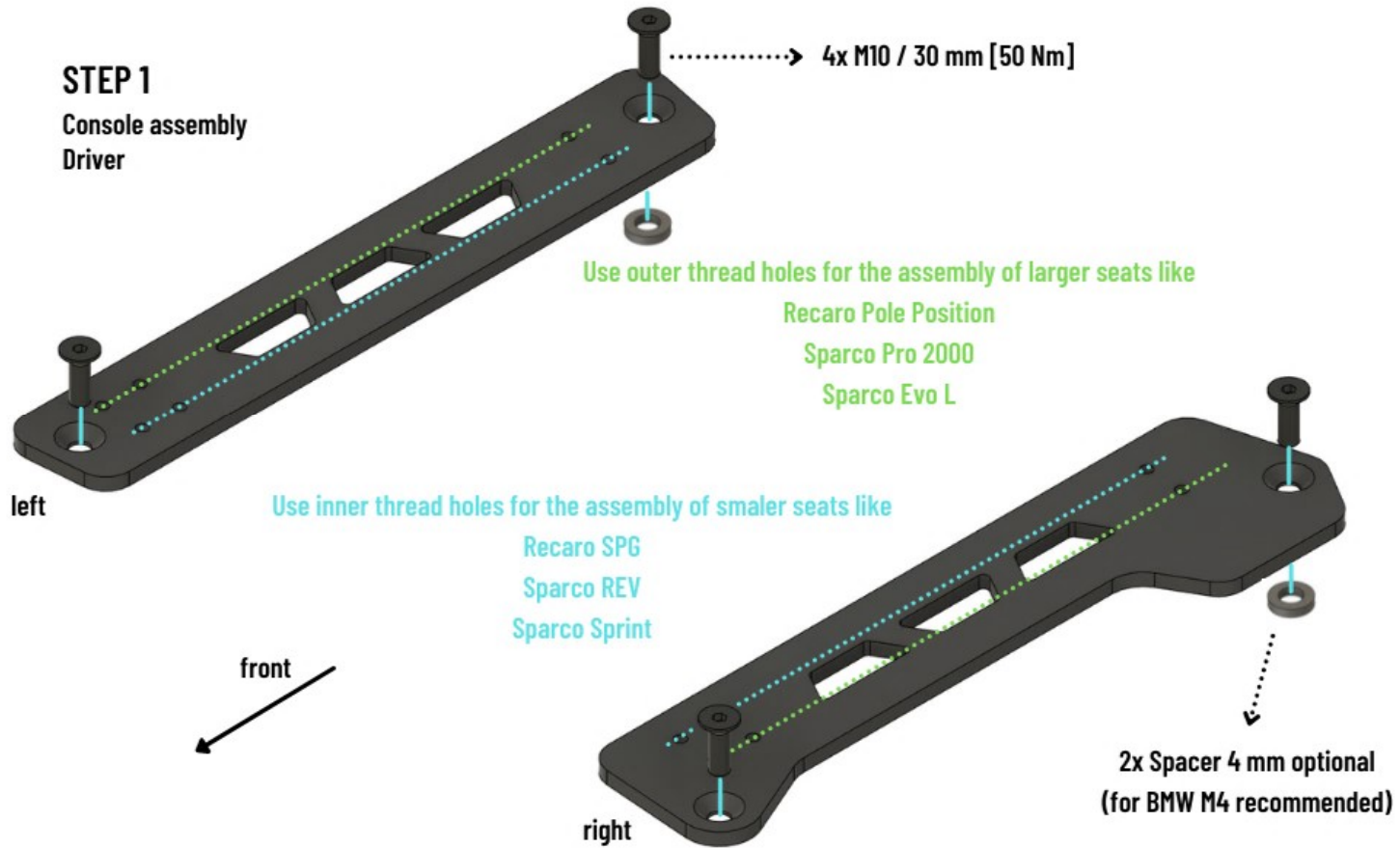


The following instruction applies to both versions of this seat mount kit.
The version for universal seats Art. 13211/13212 and especially for the
Recaro Pole Position Art. 13182/13183.

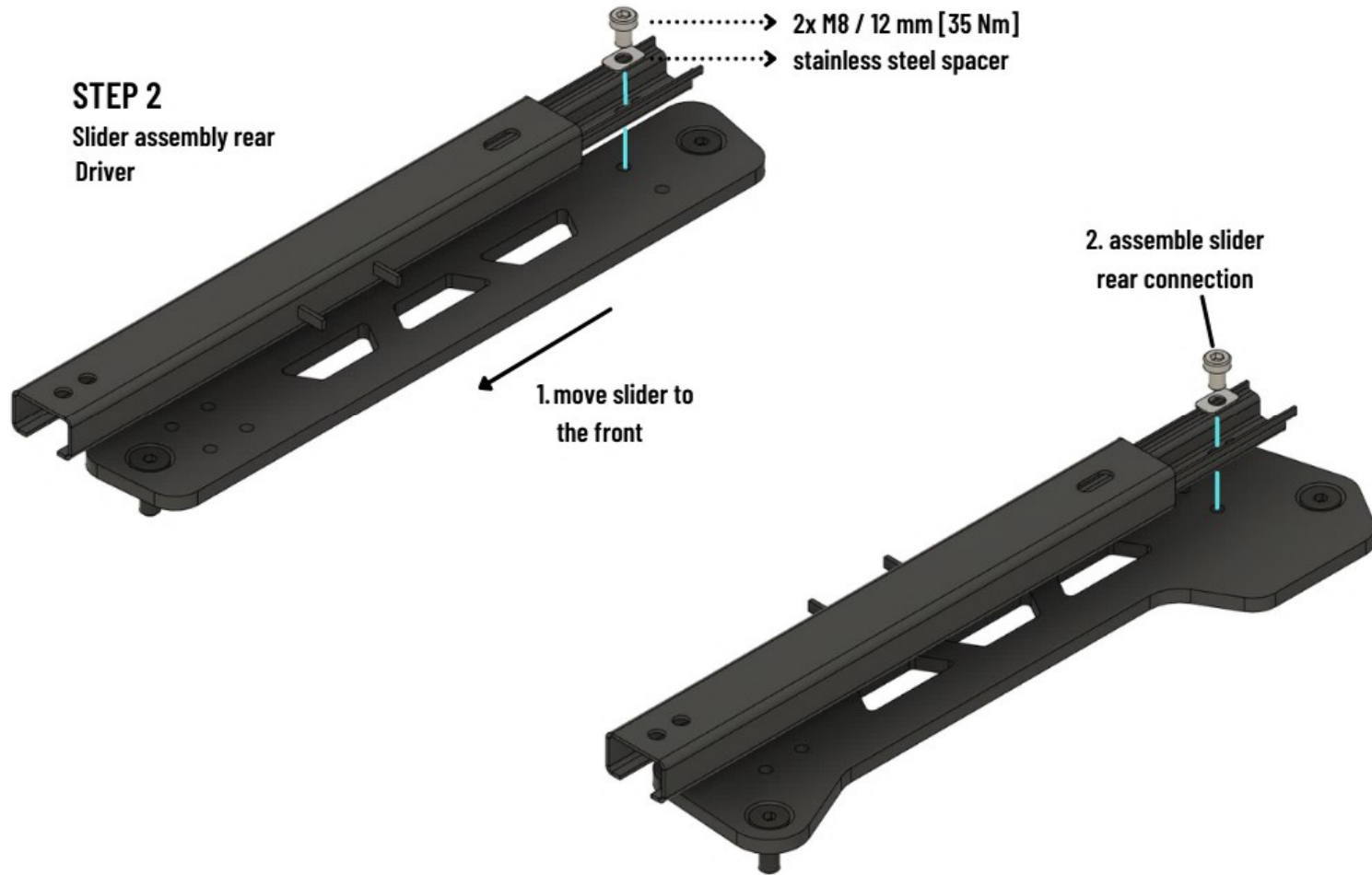
This product is designed and produced by the SPEED Engineering GmbH.
If you have any questions or comments,
please feel free to contact us.

STEP 1

Console assembly
Driver

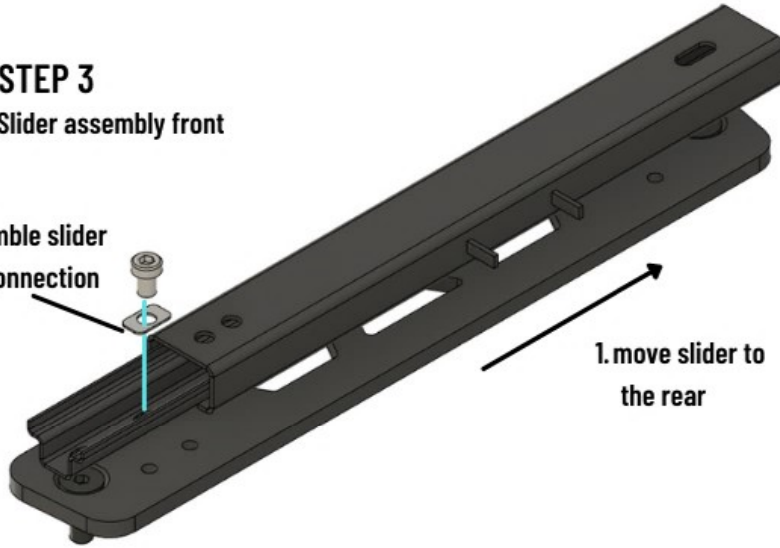


STEP 2
Slider assembly rear
Driver



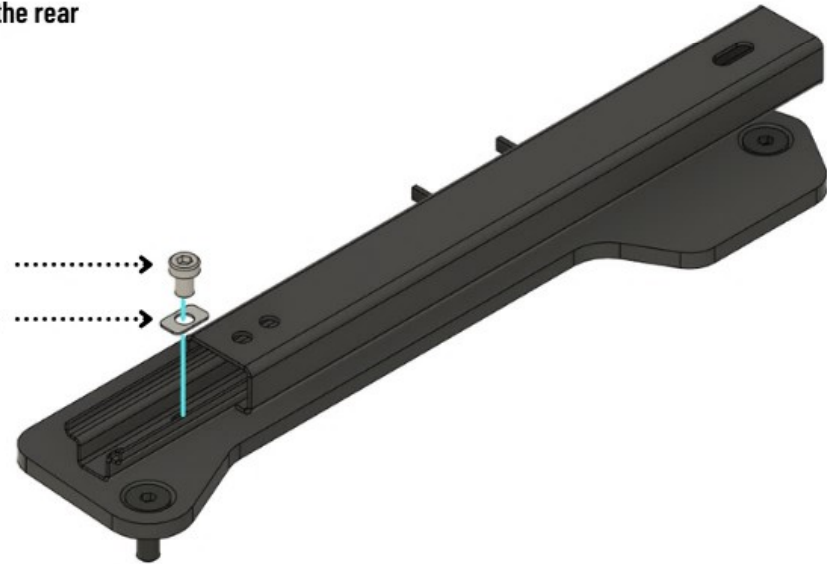
STEP 3
Slider assembly front

2. assemble slider
front connection

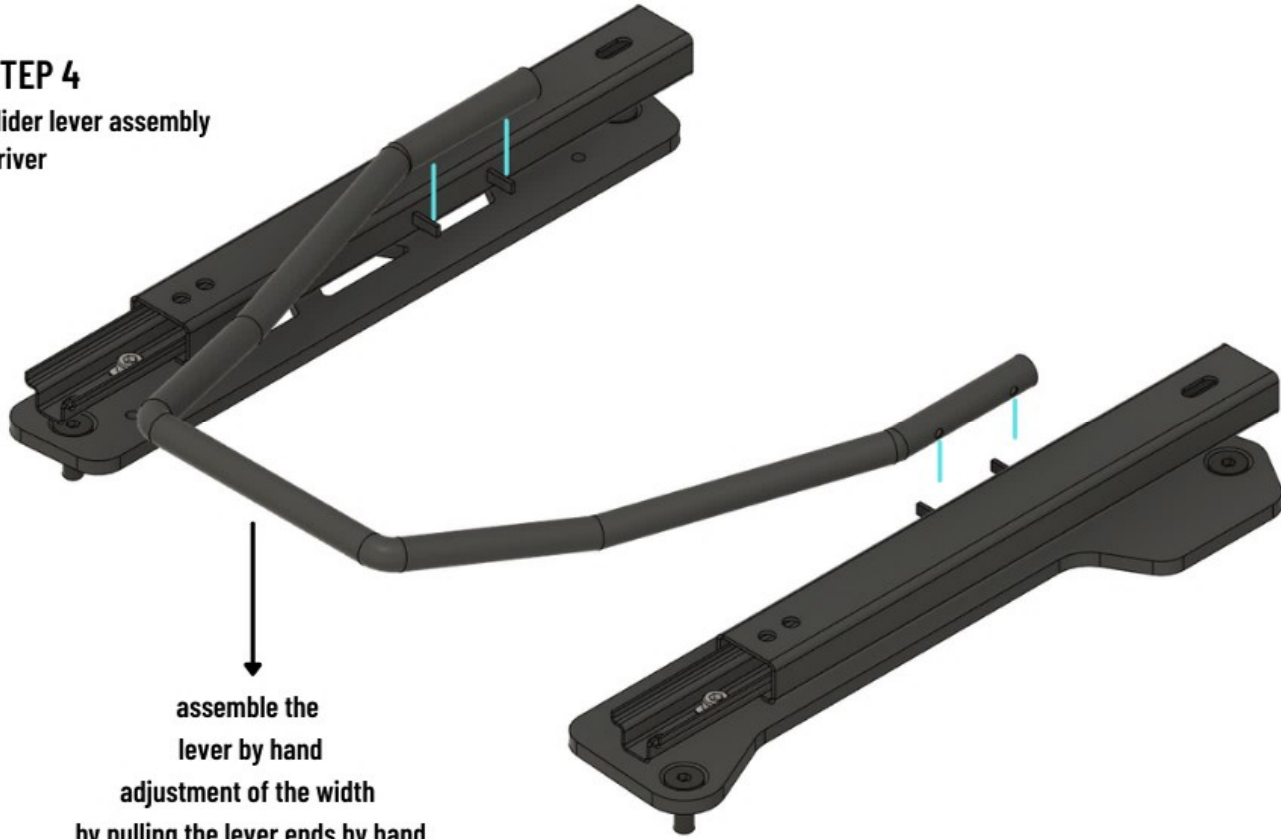


1. move slider to
the rear

2x M8 / 12 mm [35 Nm]
stainless steel spacer

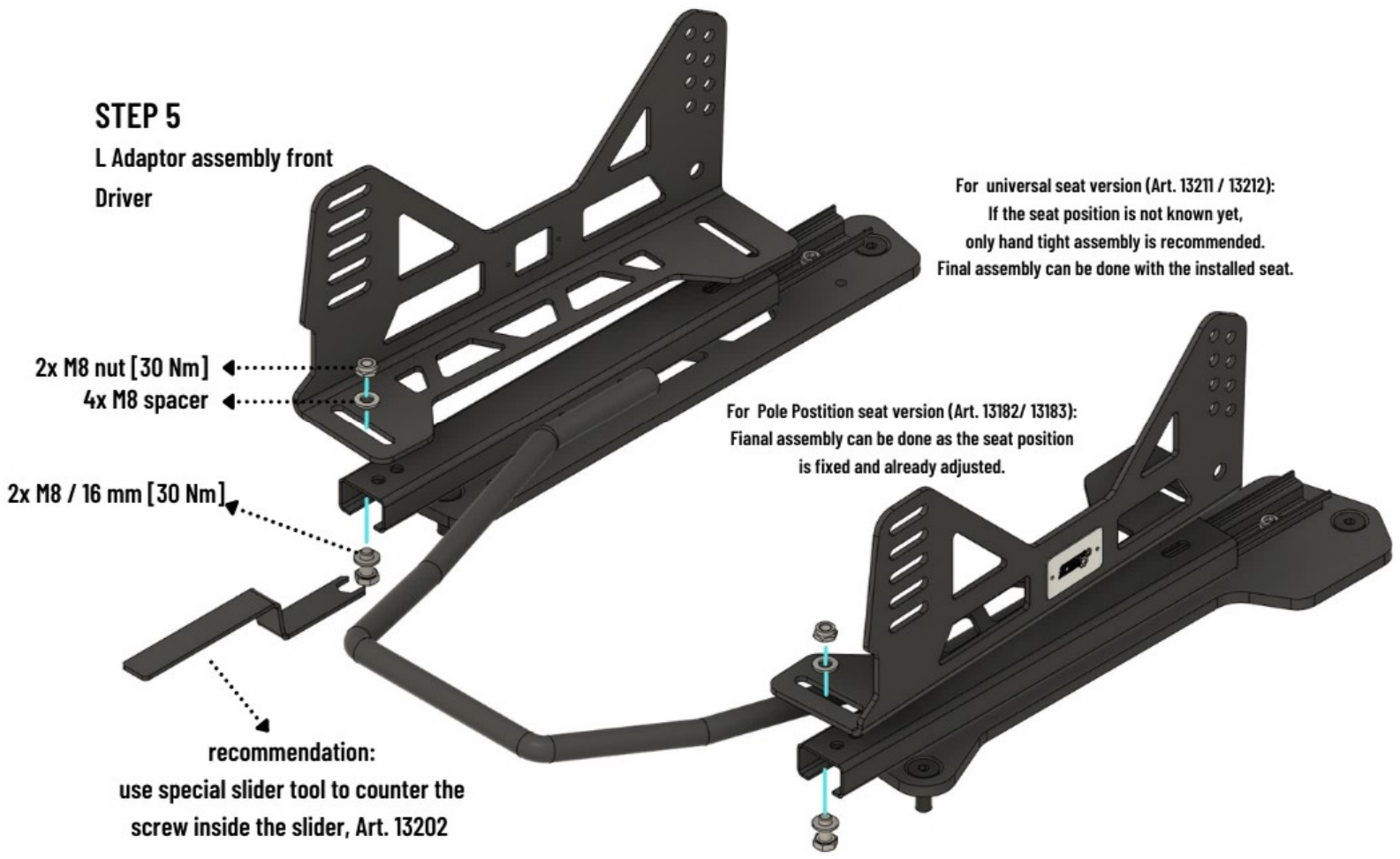


STEP 4
Slider lever assembly
Driver



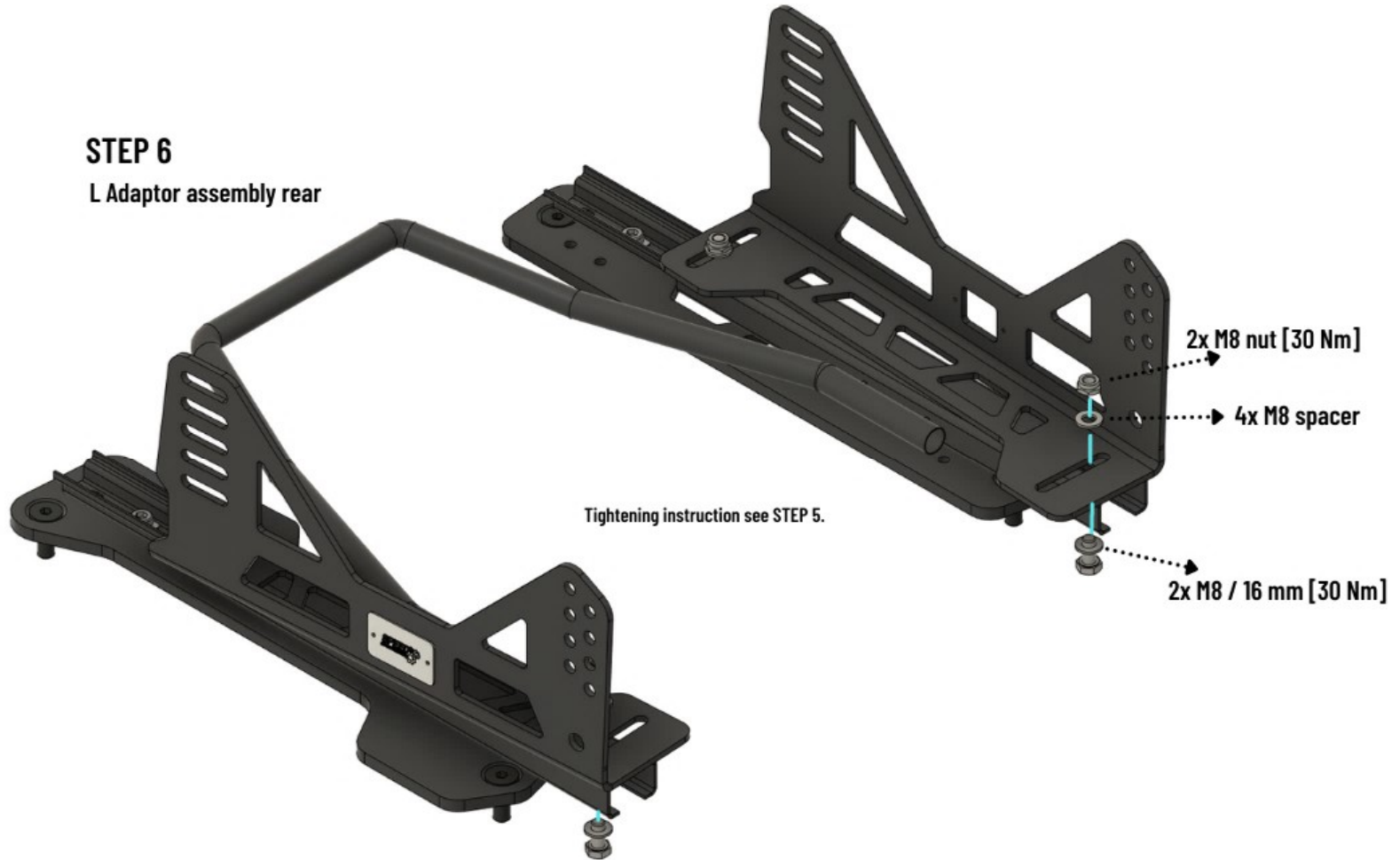
STEP 5

L Adaptor assembly front
Driver



STEP 6

L Adaptor assembly rear



STEP 7
Seat assembly



STEP 8
Seat adjustment



Only for the universal seat version
Art. 13211 / 13212 :
Adjust the seat position to the centre in
front of the steering wheel.
Tighten the nut as shown
in Step 5 & 6.

Enjoy the ride.